



**MAX BLANK**  
HIGH QUALITY

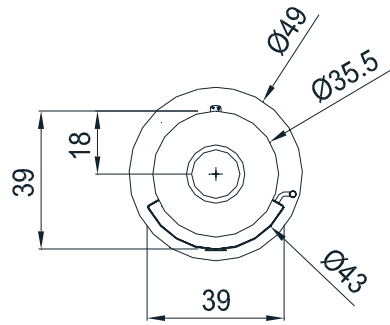
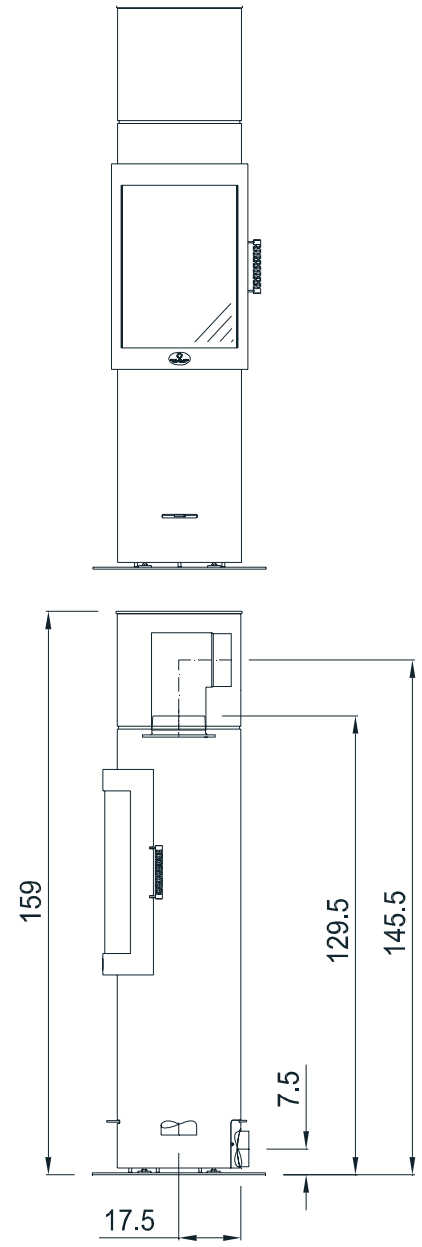
# ORANGE SP Kombi

**NEW**

**wood or pellet  
without electricity**

**Technical specifications of the small hat accumulating combi stove**

| measurements (cm)                            | width                  | height                  | depth |
|--|------------------------|-------------------------|-------|
| stove  | 39                     | 159                     | 39    |
| combustion chamber                           | 26                     | 48                      | 30    |
| fire glass                                   | 33                     | 46                      |       |
| fire door                                    | 39                     | 58                      |       |
| <b>flue pipe connection Ø 15 to → or ↑</b>   |                        |                         |       |
| height to mid pipe rear socket               |                        |                         | 145,5 |
| height to pipe socket above                  |                        |                         | 129,5 |
| <b>outside air connection Ø 10 to → or ↓</b> |                        |                         |       |
| height to mid connection horizontal          |                        |                         | 7,5   |
| depth to mid connection vertical             |                        |                         | 17,5  |
| <b>total weight</b>                          | <b>chamotte bricks</b> | <b>heat accumulator</b> |       |
| 163 kg                                       | 15 kg                  | 39 kg                   |       |
| <b>data for</b>                              | <b>pellet box</b>      | <b>wood</b>             |       |
| nominal heat output                          | 5,4 kW                 | 5,8 kW                  |       |
| output range                                 | 5,4 kW                 | 5,8 - 3 kW              |       |
| efficiency                                   | 86%                    | 84%                     |       |
| heating capability*                          | 70 - 180 m³            | 70 - 210 m³             |       |
| amount of fuel                               | 2,2 kg                 | 1,8 kg / h              |       |
| fire duration                                | up to 1,5 h            | up to 1,5 h             |       |
| heat release                                 | up to 4 h              | up to 4 h               |       |
| flue gas flow volume                         | 6,2 g/s                | 5,28 g/s                |       |
| exhaust °C (nozzle)                          | 226 °C                 | 255 °C                  |       |
| min/max feed press.                          | 12 / 15 Pa             | 12 / 15 Pa              |       |
| CO (13%/O2) [mg/m³]                          | 456,7                  | 1208                    |       |
| CO (13%/O2) [%]                              | 0,037                  | 0,097                   |       |
| dust (13%/O2) [mg/m³]                        | 29                     | 27                      |       |
| NOx (13%/O2) [mg/m³]                         | 76                     | 129                     |       |
| CxHy (13%/O2) [mg/m³]                        | 3,5                    | 34,8                    |       |
| wall distance, rear                          | 50 cm                  | 50 cm                   |       |
| at 4 cm Promat-Iso.                          | 15 cm                  | 25 cm                   |       |
| wall distance, side                          | 35 cm                  | 35 cm                   |       |
| at 4 cm Promat-Iso.                          | 15 cm                  | 18 cm                   |       |
| distance to the front                        | 80 cm                  | 80 cm                   |       |



The Orange SP Kombi, excellent in quality, energy consumption and environmental performance!

Fulfills the latest standards in burning wood, wood-briquettes and pellets (please see applicable standards).

**Please check the instruction manual for this wood & pellet burning stove.**

Suitable for multiple chimneys.

\* depending on stove location in the living area, room isolation, height of the room and amount of fuel

Subject to alterations; errors including printer's errors.

**Our specialised stove builders and retailers will assist you with practical advice.**

## Round added value stove with heat accumulationstove, model Orange SP Kombi

| ENR   | model  | delivery time |  |
|---|--|---------------|--|
| 246-2101  | <b>Orange SP Kombi † fixed</b>   | 3             |  |
| 246-2104  | <b>Orange SP Kombi → fixed</b><br><ul style="list-style-type: none"> <li>• stove body and door in steel anthracite</li> <li>• high flame fire chamber for pellet or wood</li> <li>• fire chamber rear wall made of 3 cm heat-storing chamotte</li> <li>• self-locking door with cool design handle</li> <li>• the round glass door offers best views</li> <li>• including heat accumulation block</li> </ul>     | 3             |  |
| 246-2121  | <b>Orange SP Kombi † rotatable</b><br><ul style="list-style-type: none"> <li>• stove body and door in steel anthracite</li> <li>• high flame fire chamber for pellet or wood</li> <li>• fire chamber rear wall made of 3 cm heat-storing chamotte</li> <li>• self-locking door with cool design handle</li> <li>• the round glass door offers best views</li> <li>• including heat accumulation block</li> </ul> | 3             |  |
| <b>accessories for the round added value stove</b>  |  |               |  |
| 558-2001  | <b>pellet box with 5,4 kW (at purchase with a stove)</b><br><b>pellet box with 5,4 kW (retrofit kit)</b><br><ul style="list-style-type: none"> <li>- burner unit</li> <li>- ash container</li> <li>- pellet felt bag with up to 20 kg capacity</li> <li>- pellet shovel</li> <li>- easy to use lighter</li> <li>- cleaning brush</li> <li>- also a 5-piece pellet-conversion kit</li> </ul>                      |               |  |
| 29 232 311  | <b>floor protector stainless steel (see accessories)</b>   |               |  |
| 29 232 400  | <b>floor protector glass (see accessories)</b><br>especially for this stove type<br>Outside air connection is prepared:<br><b>Be sure to specify when ordering:</b><br><b>outside air connection horizontal or vertical</b><br>(is included in scope of delivery - rotatable only vertical possible)<br>For other connection accessories, please see list of accessories.  |               |  |
| <b>special features of the added value combo stove, model Orange SP Kombi</b>   |  |               |  |
| <p><b>Specialised for the wood burning process, the smallest fire chamber</b><br/> <b>fine-tuned for low emission values and comfort.</b></p> <p>The small round fire-log-stove Orange SP Kombi, especially for firewood:</p> <ul style="list-style-type: none"> <li>• the stove is a rather discreet living room accessory with its slim diameter</li> <li>• fits perfectly in almost every room layout because of its slim figure</li> <li>• <b>self-locking door with an always cool handle</b></li> <li>• radiant heat is a beautiful and very pleasant heat</li> <li>• more special features and extras at the last pages</li> <li>• choose your stainless steel or glass floor protector from the list of accessories</li> </ul> <p>...easy to remove during summer times</p> |  |               |  |